

INSTRUCTIONS AND REPAIR PARTS LIST

CQB20 CHICK AND QUAIL BROODER
CGO20 GROW-OUT PEN

READ ALL DIRECTIONS CAREFULLY BEFORE BEGINNING INSTALLATION

TOOLS REQUIRED: Straight Blade Screwdriver, Phillips Head Screwdriver, Small Adjustable Wrench, 3/8" Wench, 7/16" Wench and Center Punch

CQB20/CGO20 Parts List

Ref. No.	Part No.	Description	Qty	Repair
1	CQB201	Leg	4	*
2	CQB208	Front Panel	1	*
3	CQB209	Back Panel	1	*
4	CQB210-200	Feeder Side Panel	1	*
5	CQB211	Side Panel	1	*
6	CQB203	Drop Pan Channel	2	*
7	CQB204	Sliding Window Channel	6	*
8	CQB202	Angle Brace	2	*
9	CQB212	Top Cover	2	*
10	CQB205	Floor Bracing	3	*
11	CQB206	Floor Crossing Brace	3	*
12	CQB215	Floor Screen	1	*
13	CQB207	Drop Pan	1	*
14	CQB216	Window Screen	2	*
15	CQB214	Window Cover	2	*
16	CQB213	Back Door	1	*
17	CQB502	Feed Trough	1	*
CQB20-HDWE - CQB20/CGO20 Hardware Bag Contains Ref. No. 18-26.				
18	OF44	10-24 x 3/4" Slotted Truss Head Bolt, Zinc	8	
19	OF214	10-24 x 1/2" Slotted Round Head Bolt, Zinc	60	
20	OF118	3/16 Rivet Burr Washer	68	
21	OF415	10-24 Nylock Hex Nut, SS	68	
22	OF3	10-24 x 3/8" Slotted Round Head Bolt, Zinc	15	
23	OF53	10-24 Hex Nut, Zinc	15	
24	OF12	1/4-20 x 3/4" Hex Bolt, Zinc	5	*
25	OF120	1/4 Flat Washer, Zinc	5	
26	OF335	1/4-20 Whiz Nut, Zinc	5	
27	43814	S Hook	1	
28	CD200	Cage Drinker	1	*
CQB20 Only				
29	BRHTR20-RP	Heater Assembly with Thermostat	1	*
30	R7	Pilot Bulb, 7.5 Watt	2	
CGO20 Only				
31	CGO21	Cover Plate	1	*

Parts available for repair have an asterisk (*) in the repair column.

MODEL NUMBER

The MODEL NUMBERS are: CQB20 CHICK AND QUAIL BROODER AND CGO20 GROW-OUT PEN

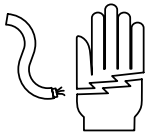
WHEN ORDERING PARTS

- (1) Show MODEL NUMBER and NAME: Example - CQB20 Chick and Quail Brooder
- (2) Show PART NUMBER and FULL DESCRIPTION of part: Example - CQB502 Feeder

HOW TO ORDER PARTS

Repair Parts may be ordered from your dealer.





! WARNING !

Be sure Power Cord Assembly is not connected during installation or cleaning. Remove heater before cleaning. Do not touch either lug of the thermostat if power source is connected. Touch only the adjustment knob. Do not defeat electrical ground afforded by 3-prong Cord Assembly. Model AT10 Adjustable Thermostat and Model BRHTR20 should be repaired only by a qualified electrician. Failure to follow these and other safety precautions could result in electrical shock causing serious injury or death!

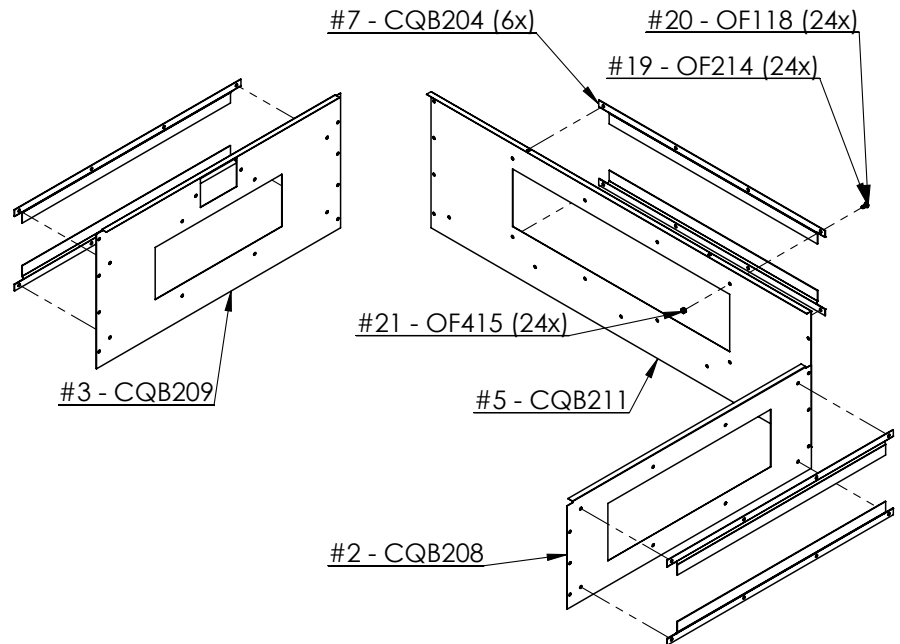
ASSEMBLY INSTRUCTIONS

DO NOT TIGHTEN ANY FASTENERS UNTIL INSTRUCTED TO DO SO!

CQB20 Brooder has a heater for brooding. CGO20 Grow-Out Pen is identical to CQB20 except that it has no heater. **Optional CQB600 Caster Base is designed for either CQB20 or CGO20.**

STEP 1

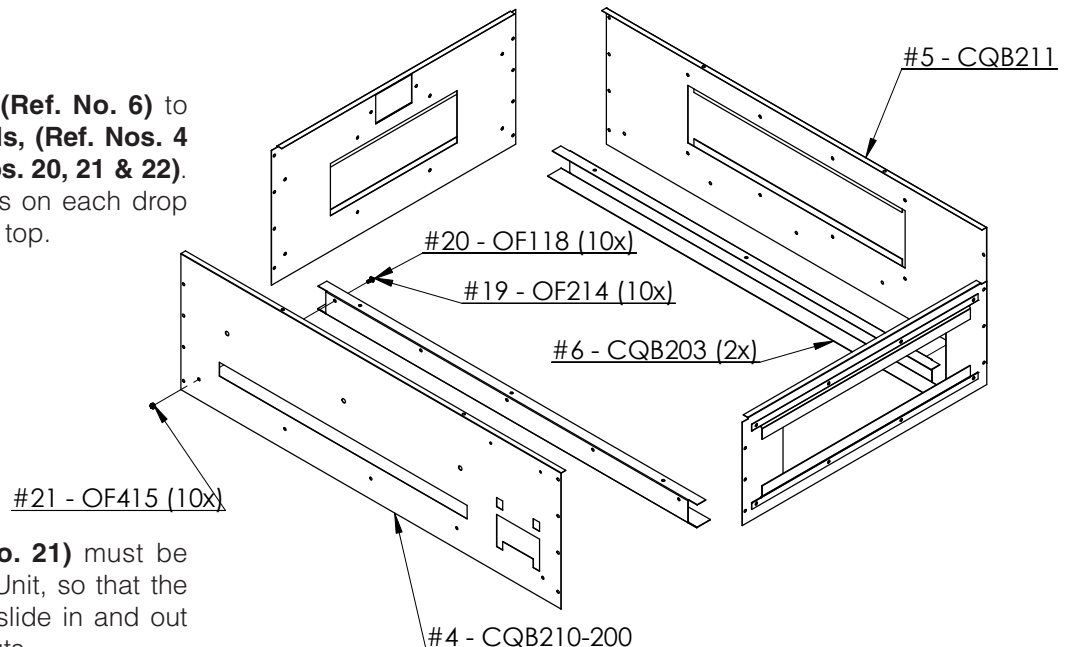
Attach **Window Channels (Ref. No. 7)** to **Front Panel, Back Panel, and Side Panel, (Ref. Nos. 2, 3 & 5)**, using **10-24 x 1/2" Bolt, 3/16" Washer, and 10-24 Nut, (Ref. Nos. 19, 20 & 21)**. Window channel should fit flat against panels with form openings facing each other. Tighten all window channels.



NOTE: When using all fasteners with washer, always place washer with bolt, insert bolt and washer through the part and then place on the nut.

STEP 2

Attach **Drop Pan Channels (Ref. No. 6)** to the inside of both **Side Panels, (Ref. Nos. 4 & 5)** using **Fasteners (Ref. Nos. 20, 21 & 22)**. Make sure the three 1/4" holes on each drop pan channel are facing toward top.



NOTE: The **Locknut (Ref. No. 21)** must be placed on the outside of the Unit, so that the **Drop Pan (Ref. No. 13)** may slide in and out after assembly. Tighten locknuts.

STEP 3

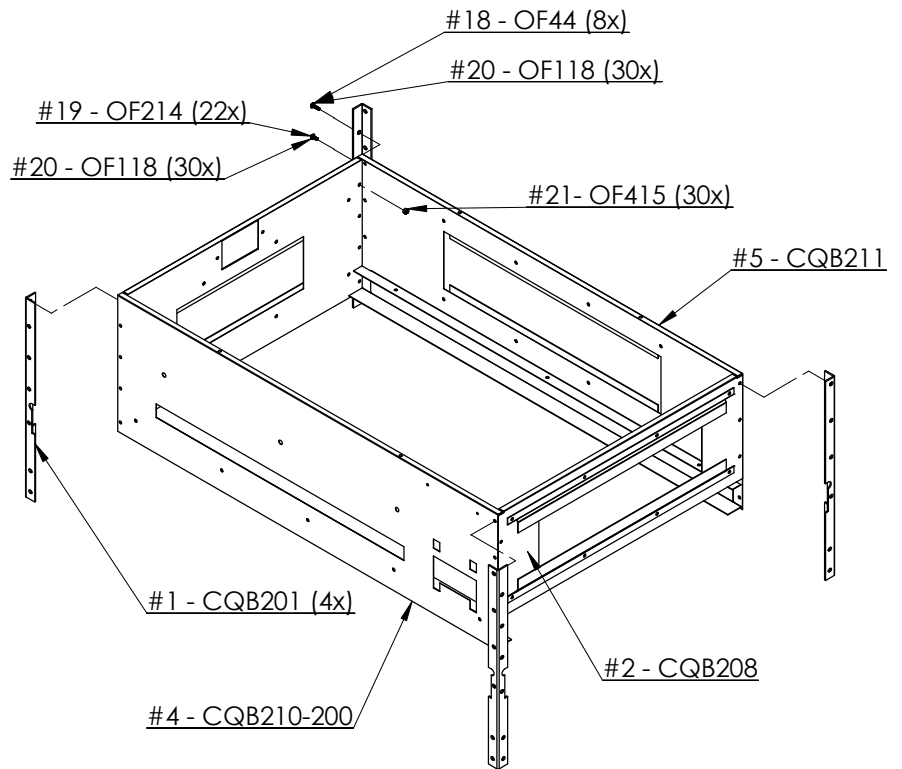
Attach two **Legs (Ref. No. 1)** to each **Side Panel (Ref. Nos. 4 & 5)**. Place leg over holes so that edge of panel will be to the inside. At the top hole of each Leg, use **10-24 x 3/4" Bolt, 3/16" Washer, 10-24 Nut (Ref. No. 18, 20 & 21)**, two per leg. These bolts are required if stacking units. Use **10-24 x 1/2" Bolt, 3/16" Washer, and 10-24 Nut (Ref. Nos. 19, 20 & 21)** at all other locations.

For easier assembly, turn unit upside down so that all panels will rest on even edges.

Start the body assembly with the **Feeder Side Panel (Ref. No. 4)** and the **Front Panel (Ref. No. 2)**. This will insure that all units will be identical, and that the drinker is always in the front of brooder. Use same fastener locations previously indicated. Hand tighten fasteners only.

Install all remaining panels. Hand tighten fasteners only.

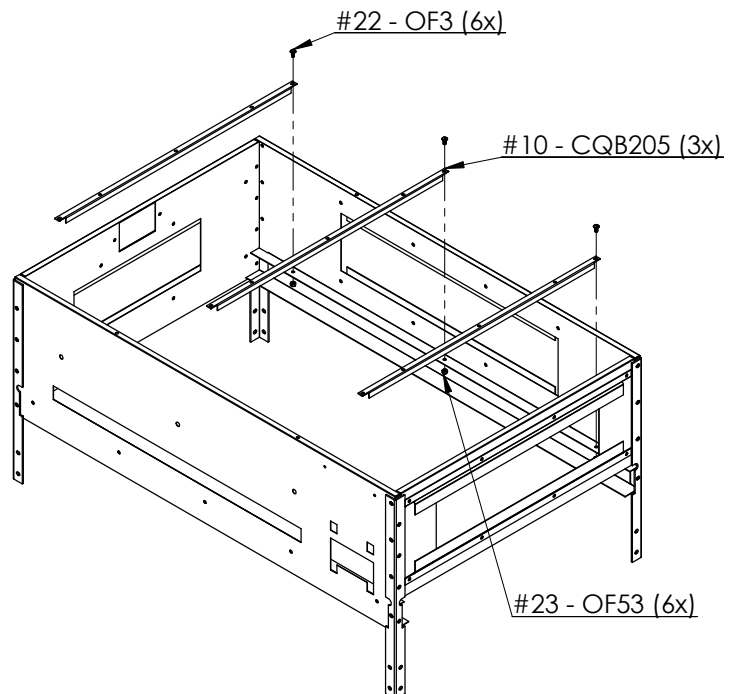
Stand Unit upright on four (4) legs. Unit may be slightly unstable and may not stay square.



STEP 4

Attach **Floor Bracing (Ref. No. 10)** across assembly from one **Drop Pan Channel (Ref. No. 6)** to the other, using **10-24 x 3/8" Bolt** and **10-24 Nut, (Ref. Nos. 22 & 23)**.

NOTE: Nut (Ref. No. 23) must be placed on the inside of Drop Pan Channel (otherwise you will have trouble sliding floor screen in and out).



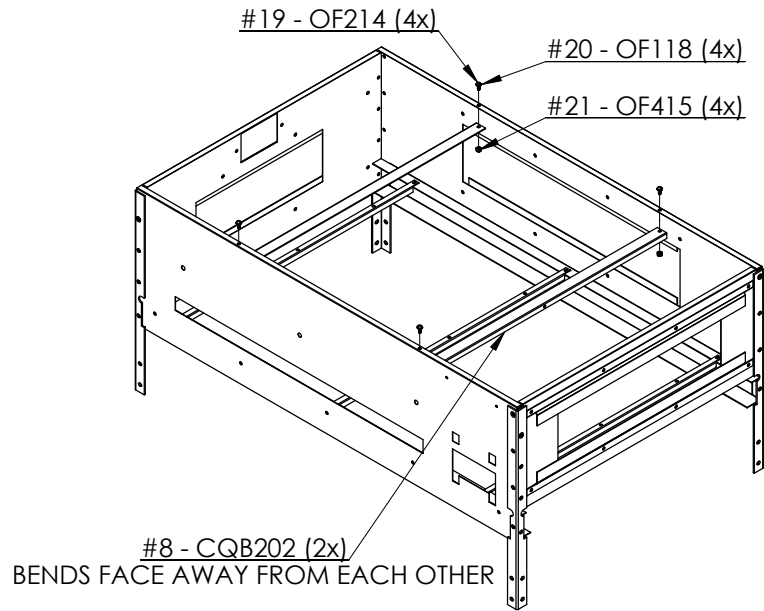
STEP 5

Place **Angle Brace (Ref. No. 8)** under the top lip of the unit and using **Fasteners (Ref. Nos. 19, 20 & 21)**. Finger tighten nut from the underneath side. Note direction of Angle Brace. This is important for installation of **Heating Unit (Ref. No. 29)**.

Visually adjust the assembly as close to square as possible. Start with tightening the fasteners placed on in STEP 3. This will help keep the unit in place while tightening the rest.

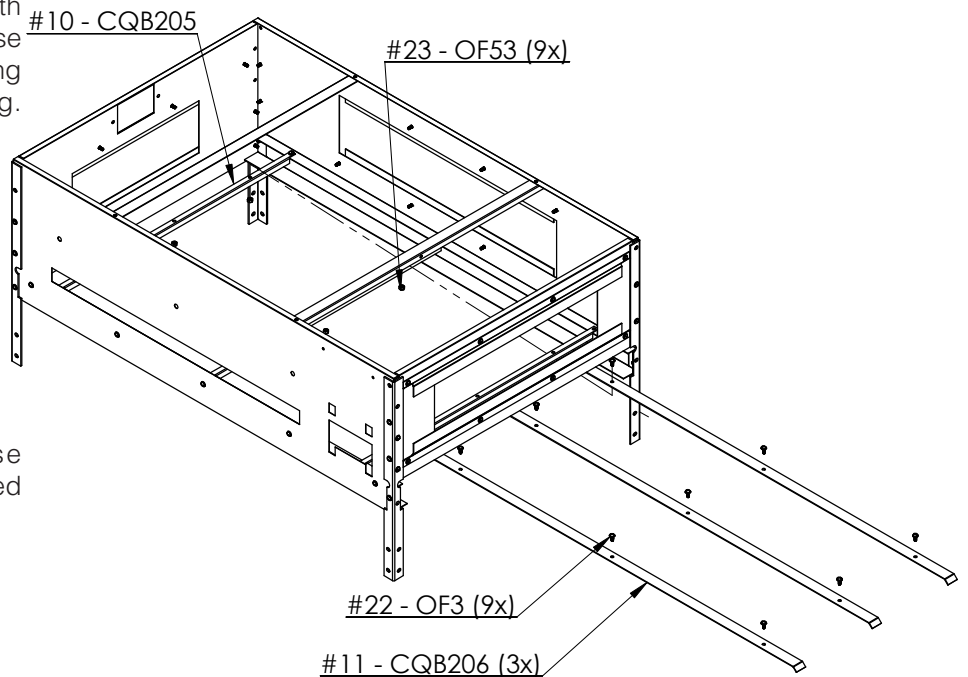
Start at any corner of the unit and tighten legs to the panels, making sure at all times that unit is as square as possible.

NOTE: If you have purchased multiple units, and plan on stacking them, DO NOT tighten the top **Bolts (Ref. No. 18)** until you reach the stacking instructions in STEP 11. This will save time later.



STEP 6

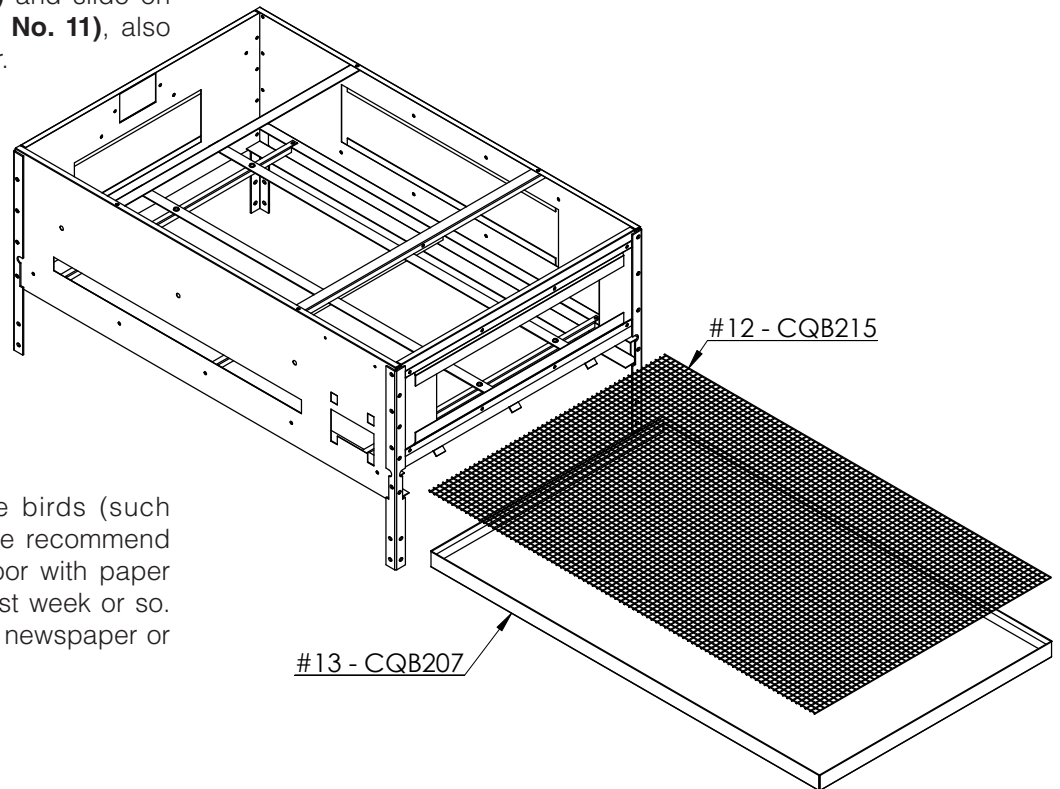
Place **Floor Cross Bracing (Ref. No. 11)** lengthwise on top of **Floor Bracing (Ref. No. 10)**, with the bend at the front end, with the form sloping down toward the floor. Use **Fasteners (Ref. Nos. 22 & 23)** again placing nut on the underneath side of the bracing. Tighten all fasteners.



NOTE: If using CQB600 Caster Base Assembly, it is recommended to be installed at this point.

STEP 7

Slide the **Drop Pan (Ref. No. 13)** into the channels from the front of the brooder. Take the **Floor Screen (Ref. No. 12)** and slide on top of the **Floor Bracing (Ref. No. 11)**, also from the front end of the brooder.

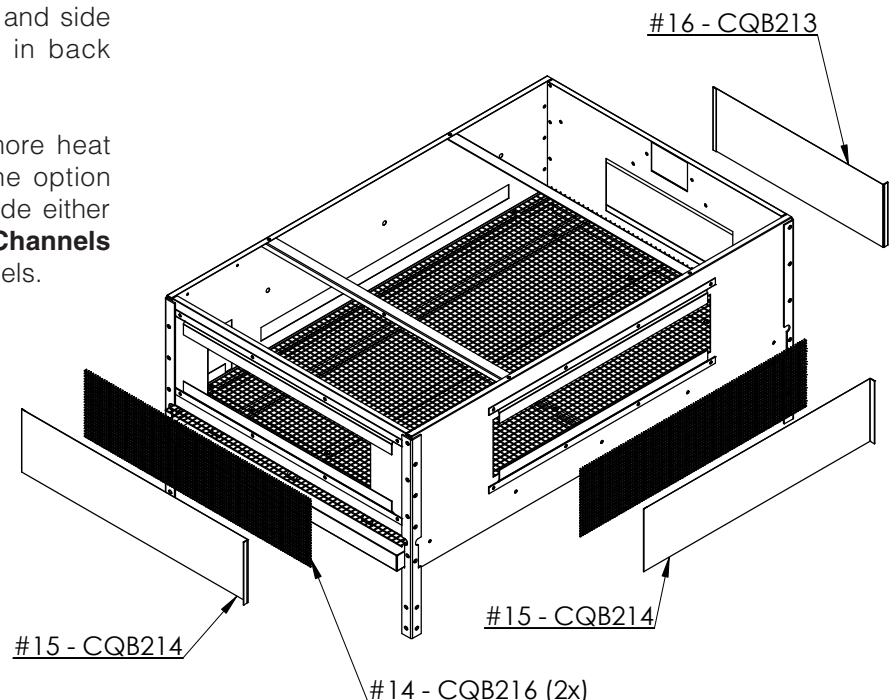


NOTE: For the smallest game birds (such as various species of quail), we recommend covering the 1/2" wire mesh floor with paper towels or cage board for the first week or so. Do not use slick paper such as newspaper or magazine print.

STEP 8

Install **Window Screens and/or Window Covers (Ref. Nos. 14 & 15)** in front and side panel. Install **Door (Ref. No. 16)** in back panel.

NOTE: Covers are used to keep more heat inside unit in drafty areas. Use the option which will suit your needs best. Slide either screen or cover between **Window Channels (Ref. No. 7)** on the front and side panels.



NOTICE: Image perspective has rotated to show better detail.

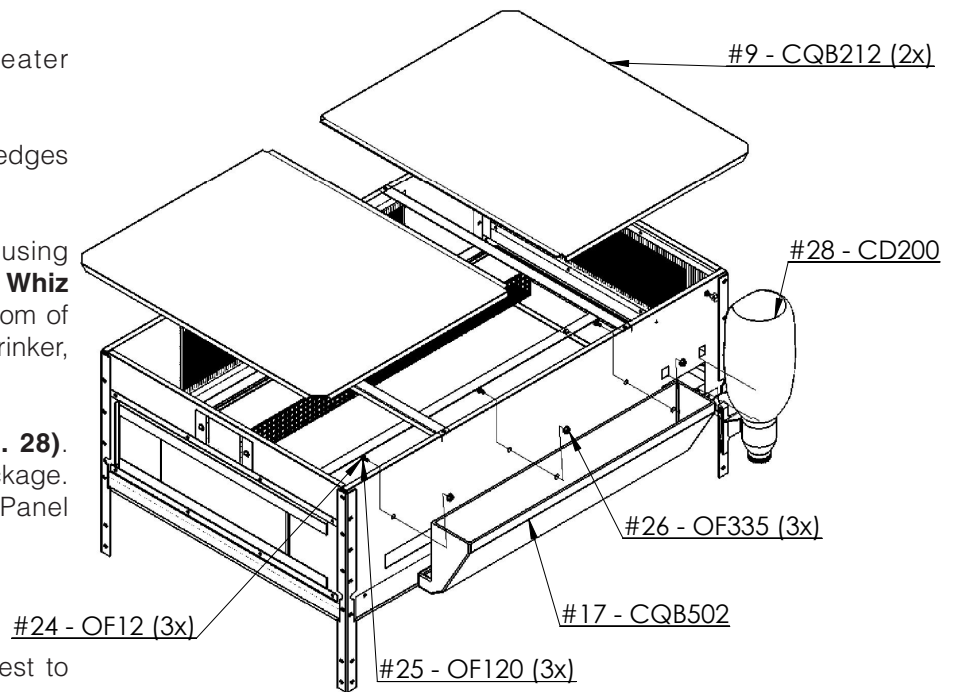
STEP 11

Install **Bulbs (Ref. No. 30)** into heater assembly.

Place the **Top Covers (Ref. No. 9)** over edges of unit with centers overlapping.

Install the **Feed Trough (Ref. No. 17)** using **1/4"-20 Bolt, 1/4" Washer** and **1/4"-20 Whiz Nut (Ref. Nos. 24, 25 & 26)**. Slide bottom of feeder into rectangle slot next to the drinker, line up holes and tighten.

Install **CD200 Cage Drinker (Ref. No. 28)**. See Instructions enclosed in drinker package. Use pre-existing hole in Feeder Side Panel (Ref. No. 4).



NOTE: If stacking units it may be easiest to complete this step along with STEP 12.

NOTICE: Shown is CQB20, CGO20 is same without heater assembly.

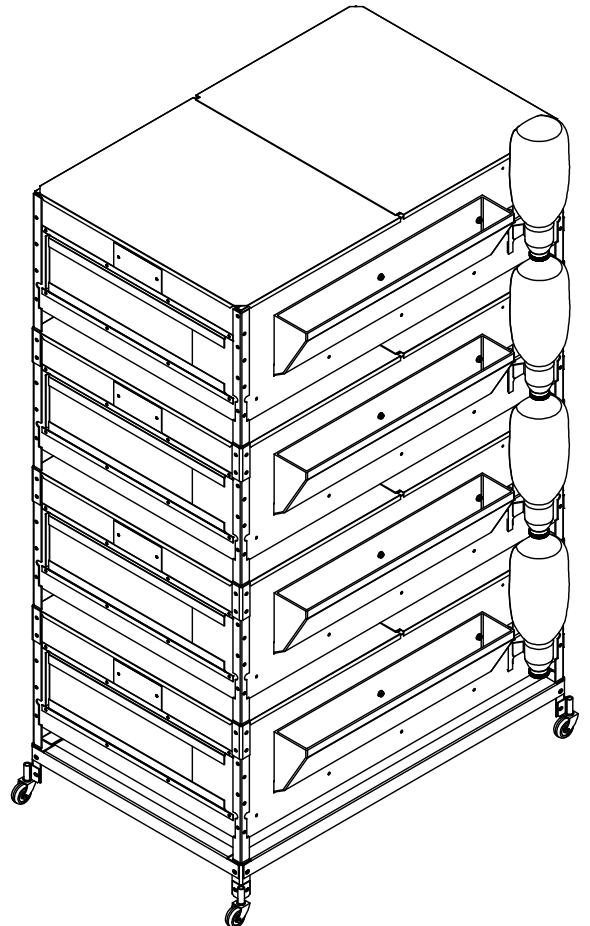
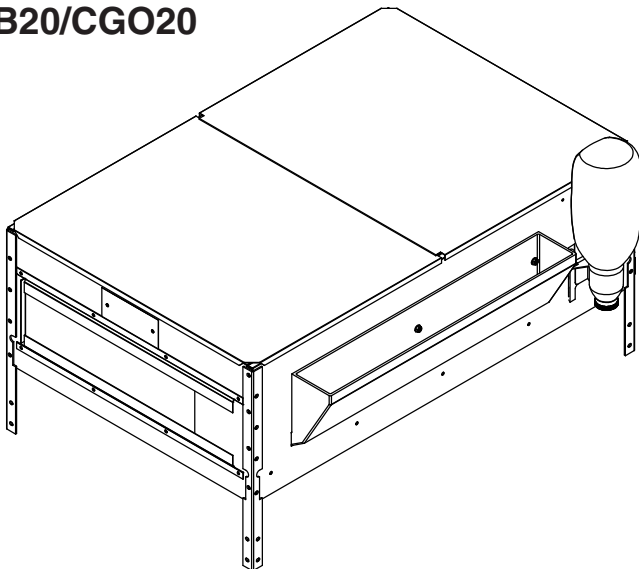
STEP 12

For stacking brooders or grow-out pens, remove top **10-24 x 3/4" Bolts (Ref. No. 18)** installed in STEP 3 from lower unit (total of 8). Set upper unit over lower unit, legs on upper unit will overlap bottom units legs. Re-insert fasteners and tighten. **It is not recommended to stack more than four high.**

NOTE: This job is best completed with two or more people.

**CQB20/CGO20 (4x)
with CQB600 Caster Base**

CQB20/CGO20



HEATER OPERATION

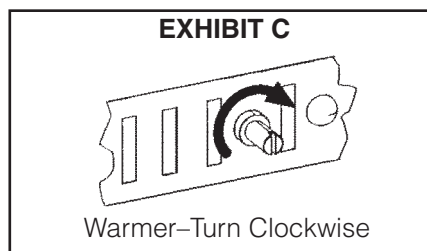
Model BRHTR20-RP uses a 250 watt Cal Rod with a reflector shield to transfer the heat to the floor of the brooder. It is thermostatically controlled. The heater uses 2 Model R7 7.5 Watt light bulbs. The bulb in the center of the brooder always stays on. The bulb near the thermostat at the rear of the brooder is the heating indicator bulb. It is on when the Cal Rod is heating. The heater assembly can be easily removed for thorough cleaning of the brooder. The heater uses our Model AT10 Adjustable Thermostat. Pertinent information about the thermostat is as follows:

UL recognized and CSA Approved (CSA-120 Volt A.C. only)

Ratings: 120 Volt A.C. 16.7 Amperes/240 Volt A.C. 8.3 Amperes

Description: HT open on rise. Controls heating applications by keeping contacts closed below the set point temperature.

Temperature Range: 70 degrees to 120 degrees F (21 degrees to 49 degrees C). The adjustment turns 180 degrees. Three degrees of turn is approximately equal to one degree F of temperature change. We suggest that you find the 180 degree range and set the switch at about the halfway point. Then adjust as necessary to find the appropriate brooding temperature. Turning the adjustment knob to the right (clockwise) increases temperature. See Exhibit C.



BROODER OPERATING INSTRUCTIONS

Plug brooder cord into 110-220 volt A.C. circuit. Adjust thermostat as discussed above.

Start at 95 degrees F (35 degrees C) 1 inch above floor at a point in center of brooder chamber. Reduce heat by 5 degrees each week until chicks are transferred to finishing battery or grow-out pen.

Fill feeder full with no more feed than necessary to keep feed fresh daily. Always keep clean, fresh water for the chicks. Drop pan should be cleaned daily. To facilitate cleaning pans, cover them each time with newspaper or litter to absorb odors. Your water trough is self cleaning but you may want to periodically disinfect trough. Disinfect entire brooder each time chicks are transferred to aid disease control.

Keep temperatures of the brooder room above 60 degrees F (16 degrees C) and provide ample ventilation without drafts.

PLEASE NOTE: In event of insufficient heat, call your power company and have them check the line voltage. A drop of ten volts will result in the loss of more than 20% of the heating power of your heater. Our experience shows that in most cases of low voltage, the line leading into the brooder house is too light and needs to be of heavier gauge. The greater the distance, from the meter to brooder, the larger the wires should be. Consult your power company for correct wire gauges to insure full voltage of 110-115 volts reaching the brooder.

WHILE CLEANING, DISCONNECT POWER SOURCE AND REMOVE HEATER ASSEMBLY.

GROW-OUT OPERATING INSTRUCTIONS

Our grow-out is designed for about 20-25 birds after brooding. For larger birds, you may want to consider Brower Model 4200, which has about 14 inches of headroom. Keep feed fresh by adding to the feed trough about the amount of feed that can be consumed in a day.

Always keep clean, fresh water for the chicks. Drop pan should be cleaned daily. To facilitate cleaning pans, cover them each time with newspaper or litter to absorb odors. Your water trough is self cleaning but you may want to periodically disinfect trough. Disinfect entire brooder each time chicks are transferred to aid disease control.

Keep temperatures of the brooder room above 60 degrees F (16 degrees C) and provide ample ventilation without drafts.